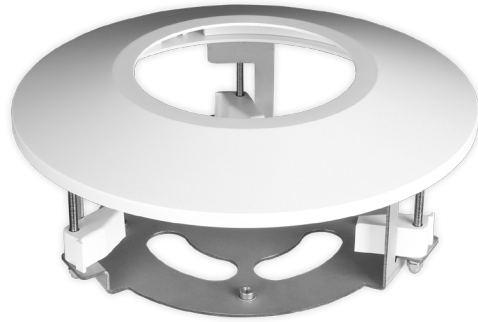
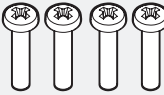
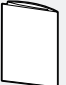
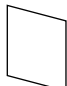


# Flush mount for vandal dome IP cameras with junction box built-in

DWC-DJFM



## WHAT'S IN THE BOX

Camera Mounting Screws		4	Quick Setup Guide		1
Mounting Template		1			

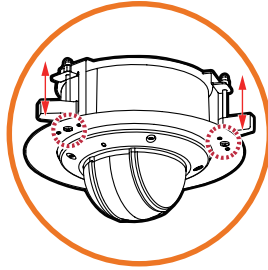
**NOTE:** Download all your support materials and tools in one place

1. Go to: <http://www.digital-watchdog.com/resources>
2. Search your product by entering the part number in the **'Search by Product'** search bar. Results for applicable part numbers will populate automatically based on the part number you enter.
3. Click **'Search'**. All supported materials, including manuals and quick start guide (QSGs) will appear in the results.



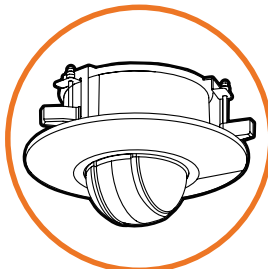
## INSTALLATION

- 1 Before the installation, remove the magnetic cover from the flush mount.
- 2 Using the mounting template mark and drill the necessary holes in the mounting surface.
- 3 Adjust the 3-point in-ceiling wings using a screwdriver. Twist the screws to tighten and expand until the flush mount is secured to the mounting surface.



- 4 To mount the camera to the mounting accessory, remove the dome from the camera base using the wrench included with the camera. Remove the camera base from the junction box and gang box bracket.
- 5 Pass wires through the flush mount base and make all necessary connections.
- 6 Secure the gang box bracket to the base of the flush mount using the screws included with the flush mount.
- 7 Tighten the red-color screws to assemble the bottom junction box and camera module.
- 8 Assemble the dome cover over the camera body. Align the dome and bottom case to match the case outline.

**NOTE:** Be careful not to alter the direction of the camera module.



- 9 Remove the protective film from the dome. Softly wipe the dome with lens tissue or a microfiber cloth to remove any dust or smudges left from the installation process. See the camera's QSG for more information.

